

**SUPER** | FRAME SCAFFOLD



**SUPER**  
FRAME SCAFFOLD

SUPER | 2025-04-EN  
BROCHURE 02

STRONGER. TOGETHER.

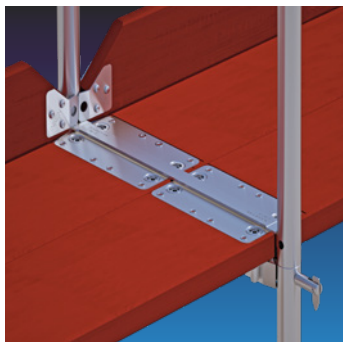
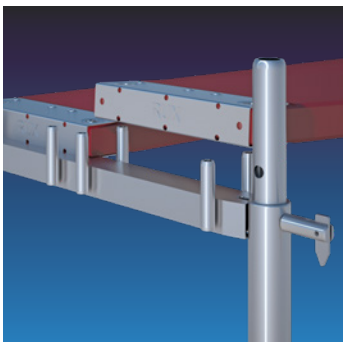
 **scafom-rux**



## **> SUPER FRAME SCAFFOLD** METRIC, FAST AND EASY

The Scafom-rux SUPER scaffolding system is one of the most popular systems on the market. No other scaffolding can be assembled and disassembled as quickly and requires as few basic elements.

The SUPER scaffolding system is available in widths of 0.65 meters and 1 meter and has a standard frame height of 2 meters. The practical gravity lock ensures a self-securing connection between the frames, guardrails or diagonals. The components can be easily mounted by just one person without them having to go back and forth all the time.



*The T-profile of the lower frame ledger – shown here in cross-section. Each new scaffold level automatically secures the decks, making uplift impossible.*

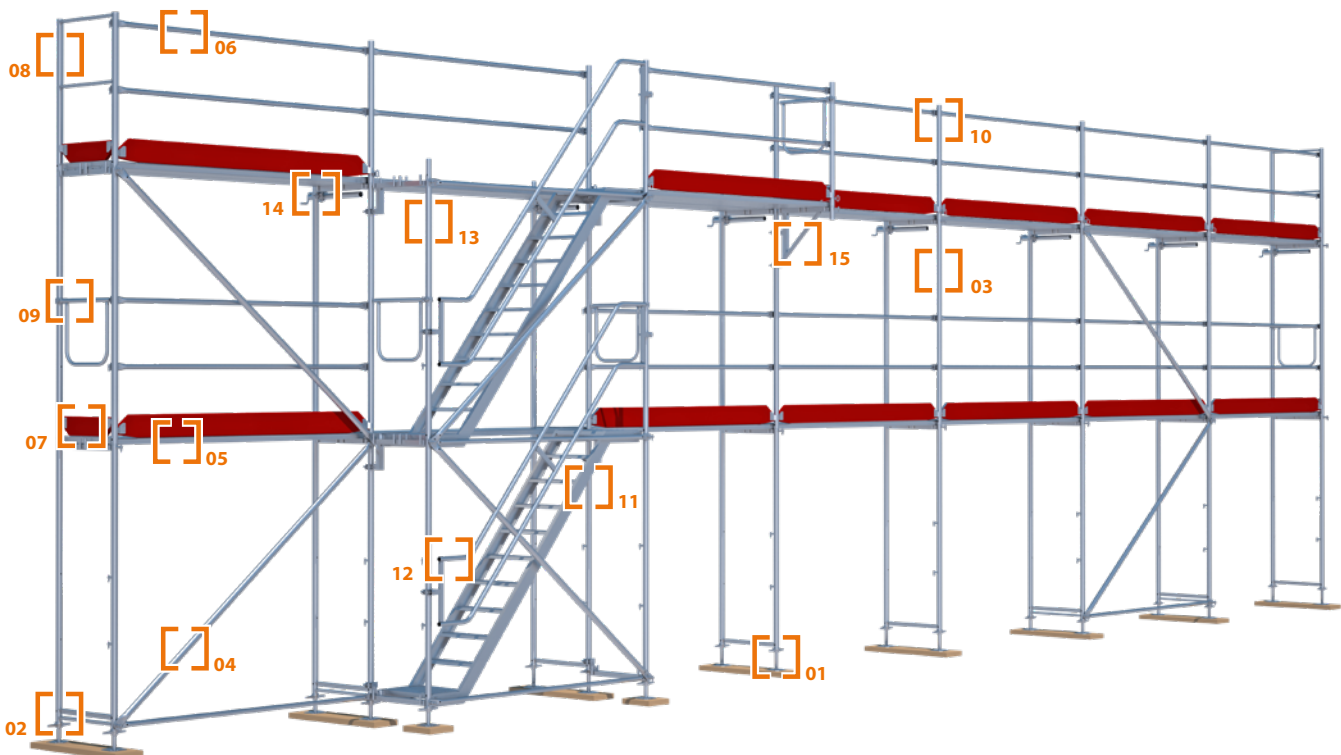
# FAST AND EASY ASSEMBLY WITH FEW BASIC COMPONENTS

The proven SUPER system requires only few basic elements. Yet, thanks to its broad product range, it's highly adaptable — making it suitable for virtually any challenge of construction, renovation and maintenance jobs.

- 01 Base jack
- 02 Base transom
- 03 Vertical Frame
- 04 Diagonal
- 05 Decking planks
- 06 Back guardrail / Longitudinal tube

- 07 Toe board
- 08 Front guardrail frame
- 09 Front guardrail, double
- 10 Guardrail post
- 11 Aluminium stairway with platform
- 12 Double handrail

- 13 Stairway standard starting piece
- 14 Stairway standards
- 15 Steel shore tube
- 16 Cantilever bracket



**> STEEL, ALUMINIUM, 65 OR 100 CM WIDTH, EYE OR TOGGLE PIN? THE CHOICE IS YOURS.**

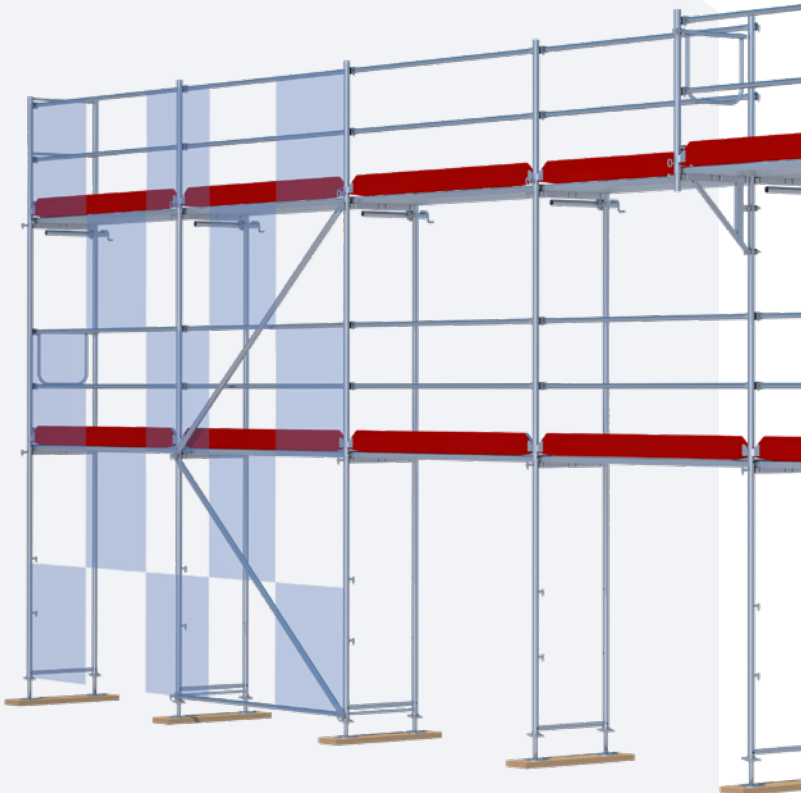
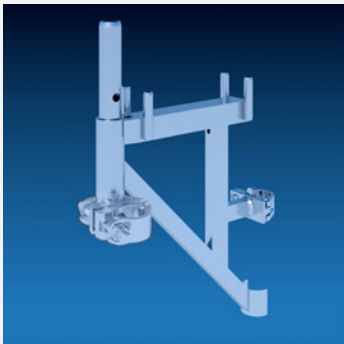
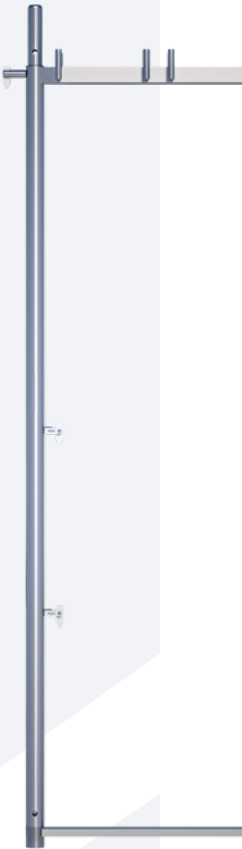
Different versions for different applications – while the SUPER scaffolding system remains fully compatible. Whether you prefer the ultra-light aluminium version or the “good old hook connection,” you’ll find what you need in our product range.

Also, the SUPER system’s metric dimensions offer real savings in both materials and space. Many standard sizes can be achieved with just one deck width, making corner scaffolding easier and reducing the number of components required.

**MORE BENEFITS OF THE SUPER SYSTEM:**

- LIGHTWEIGHT
- EASY HANDLING
- OPTIMAL STACKABILITY
- ERGONOMIC DESIGN
- EFFICIENT USE OF TRANSPORT SPACE

*All key connections – from vertical frames and decks to diagonals and guardrails – are screw- and wedge-free.*



## ECONOMICAL, SAFE, SUSTAINABLE

### COMBINED ADVANTAGES: MODULAR AND FRAME SCAFFOLDING

Scafom-rux products are designed for maximum compatibility and multi-purpose use. Thanks to their metric dimensions, combining the RINGSCAFF modular scaffolding with the SUPER frame scaffolding is simple and effective. For example, pedestrian walk-through tunnels can be optimally constructed using RINGSCAFF, while the overhead working scaffold can be built with SUPER components — both systems share the same bay lengths. This way, each system plays to its strengths.

### SUPER OFFERS YOU EXTENSIVE POSSIBILITIES

The wide range of consoles, transoms, and accessories ensures optimal adaptation of the scaffold to the building's architecture. Especially in industrial applications – such as scaffolding around conveyor towers, pipe bridges, or pipelines – maximum flexibility is essential. The system offers all the necessary options and significantly boosts on-site productivity.



### MAXIMUM SAFETY, MINIMAL EFFORT THE ALUMINIUM PLATFORM STAIR

Going up or down on a scaffold can be tricky enough without carrying tools or materials – add those in, and a ladder frame becomes a balancing act. The solution? A stair! The aluminium platform stair can be installed as a slim extension for SUPER scaffolds using SUPER stair standards.



- PERFECTLY INTEGRATED
- SUSTAINABLY DESIGNED
- FULL SYSTEM INTEGRATION
- PRACTICAL ACCESSORY
- MULTIFUNCTIONAL USE
- SAVES MATERIAL, TIME & LABOUR



Alu stair 2 m  
with platform

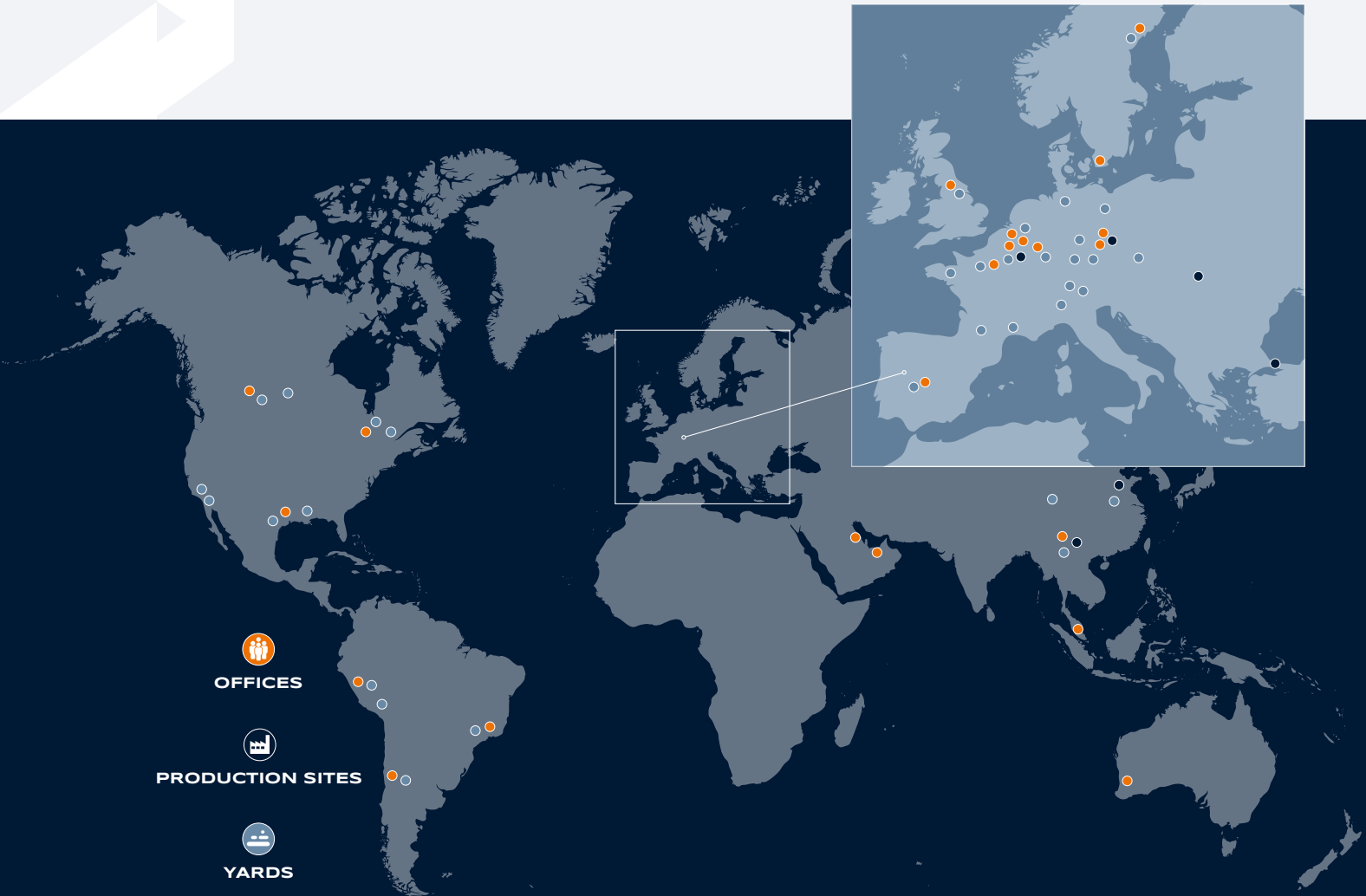


Alu stair 1 m  
with platform

**SCAFOM-RUX**  
**YOUR PARTNER IN SCAFFOLDING**

Scafom-rux sells and rents high-quality industrial and frame scaffolding systems from our own production. Our entire team understands the needs and requirements of scaffolders across various industries such as construction, oil and gas, mining, shipbuilding and maintenance, and many others. This allows us to assist you in finding the best possible solution for your scaffolding project. Additionally, we offer extra services like professional training and technical support.

For more information about Scafom-rux, our scaffolding products, projects, and services, please visit [www.scafom-rux.com](http://www.scafom-rux.com).



Scafom-rux

De Kempen 5, 6021 PZ Budel  
The Netherlands

T. +31 495 497 204  
E. [info@scafom-rux.com](mailto:info@scafom-rux.com)  
[www.scafom-rux.com](http://www.scafom-rux.com)

 **scafom-rux**